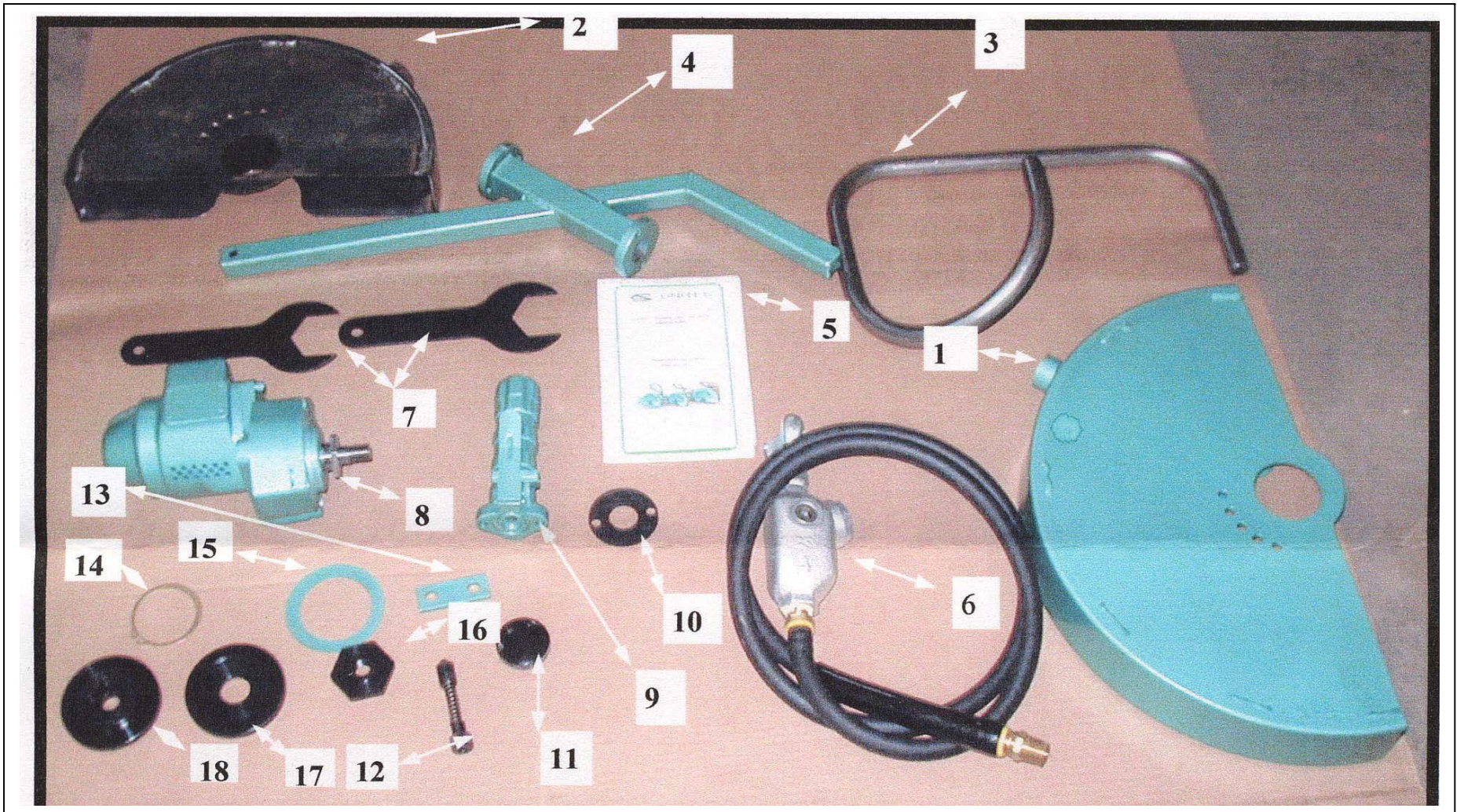


CS UNITEC, INC.
22 Harbor Avenue
Norwalk, CT 06850
Website: www.csunitec.com
Email: info@csunitec.com

CSH-125 & 150 - Concrete Saw



*Prices to change without notice.
Not responsible for typographical errors.*

<u>POS. NO.</u>	<u>ITEM NO.</u>	<u>DESCRIPTION</u>
1	CSH 150-GUARI	Guard
2	CSH 125-GUARI	Guard
3	0282268	Handle for CSH 100 & 125
4	0210713	"Z" Frame Assembly
6	TP22000	Hose & Oiler Assembly
8	0266162	Air Motor with Gear Box
9	0275108	Handle Complete
10	CSH 100-2	Seals
11	0591542	Lock Nut
12	0266138	Ground Rotation Lock Assembly
13	0210714	Handle Mount
14	MC2375	Snap Ring
15	0210715	Spacer Washer
16	0252256	Flange Nut
17	0252257	Outer Flange
18	0265042	Inner Flange

CS Unitec, Inc.

22 Harbor Ave, Norwalk, CT 06850

Telephone: 203-853-9522 Toll Free: 800-700-5919 Fax: 203-853-9921

WebSite: www.csunitec.com E-Mail: info@csunitec.com

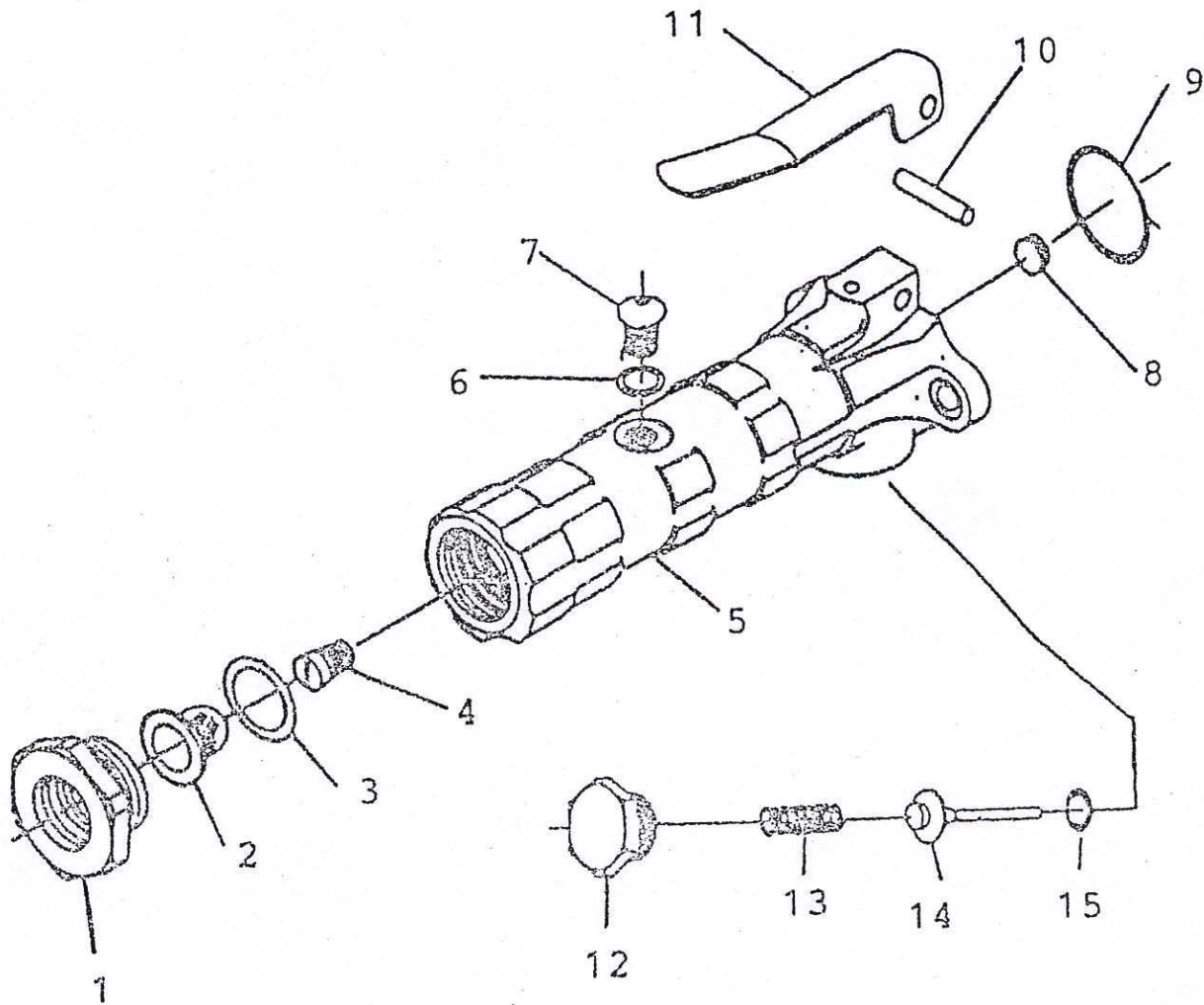
CS UNITEC, INC.

22 Harbor Avenue
Norwalk, CT 06850

Website: www.csunitec.com

Email: info@csunitec.com

**AIR CONCRETE SAW HANDLE
ASSEMBLY - CSH 125 & CSH 150**



*Prices to change without notice.
Not responsible for typographical errors.*

<u>POS. NO.</u>	<u>ITEM NO.</u>	<u>DESCRIPTION</u>
	0275108	Handle Complete
1	0255033	Air Inlet Nut
2	0265034	Air Screen
3	0265061	O-Ring for Air Screen
9	0270030	O-Ring
10	0255050	Lever Pin
11	0255038	Lever
12	0270026	Throttle Valve Cap
13	0260051	Throttle Valve Spring
15	0220090	O-Ring

CS Unitec, Inc.

22 Harbor Ave, Norwalk, CT 06850

Telephone: 203-853-9522 Toll Free: 800-700-5919 Fax: 203-853-9921

WebSite: www.csunitec.com E-Mail: info@csunitec.com

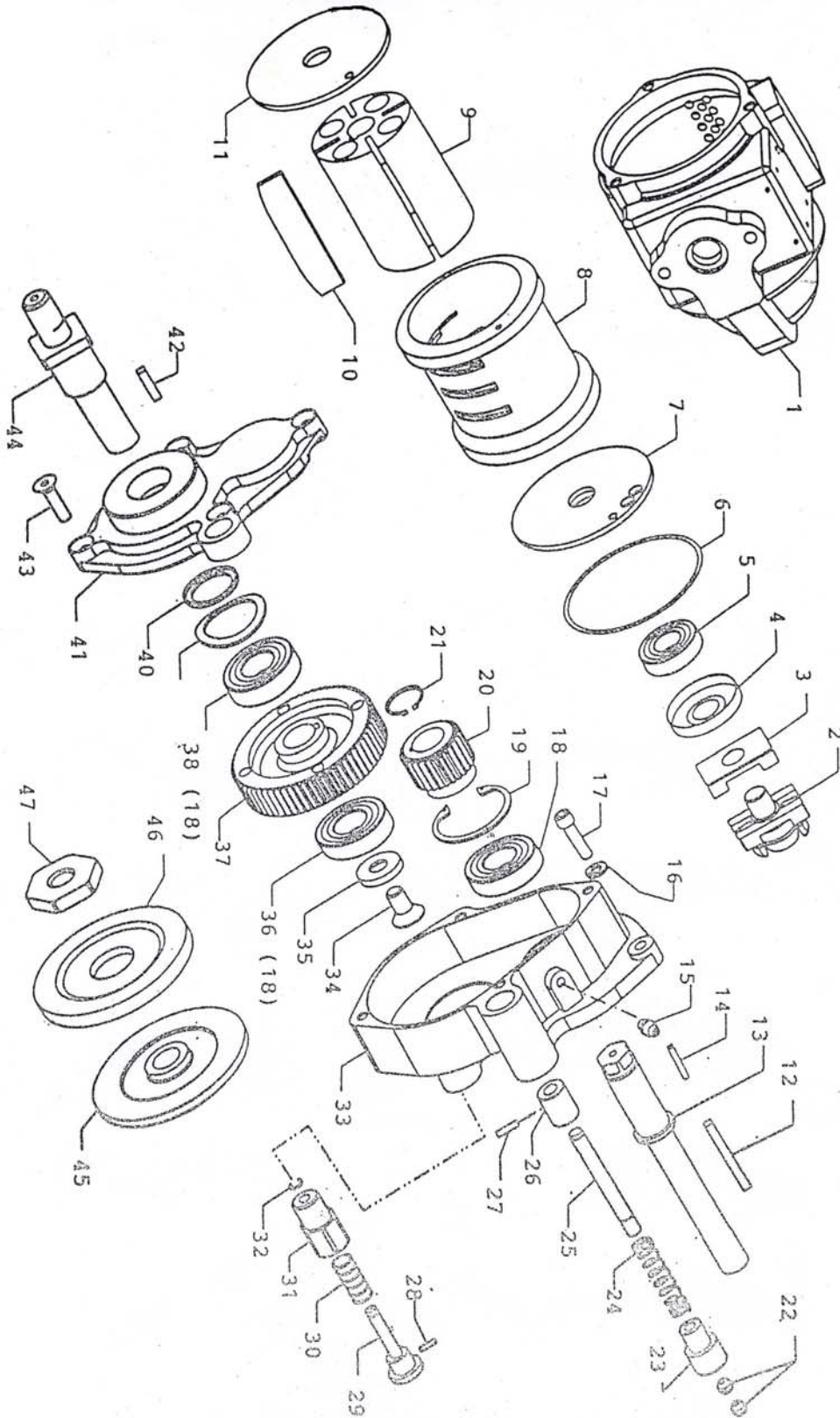
CS UNITEC, INC.

22 Harbor Avenue
Norwalk, CT 06850

Website: www.csunitec.com

Email: info@csunitec.com

AIR CONCRETE SAW MOTOR CSH 125 & CSH 150



*Prices to change without notice.
Not responsible for typographical errors.*

<u>POS. NO.</u>	<u>ITEM NO.</u>	<u>DESCRIPTION</u>	
	0266138	Ground Rotation Lock Assembly	Items 22-27
	0266162	Air Motor with Gear Box	
18 + 36 + 3	0270070	Bearing, Outer	
1	0266015	Motor Housing	
2	0255090	Governor Assembly (9000 RPM)	
3	0260048	Governor Pin Retainer	
4	0266179	Slinger Shield	
5	0270090	Bearing, Inner	
6	0265013	Gasket	
7	0254069	Inner Thrust Plate	
8	0270011R	Cylinder Left Rotation	
9	0270012	Rotor for Concrete Saw	
10	0270013	Vanes - 1 Set of 4	
11	0270010	Outer Thrust Plate	
12	0270015	Key	
13	026618B	Shaft	
14	0266113	Key (Gear Driven)	
15	0266126	Grease Fill Nipple	
16	0270046	Lockwasher 1/4"	
17	0270047	Cap Screw	
19	0255021	Snap Ring (Alt. 150 Snap Ring)	
20	0266150	Gear, small input	
21	0259261	Retainer Clip	
22	0259110	Set Screw	
23	0266119	Lock Pin Knob	
24	0266125	Lock Pin Spring	
25	0266120	Lock Pin Shaft	
26	0266118	Lock Pin Bushing	
27	0270037A	Roll Pin	
33	0266101	Gearbox Housing	
34	0266129	Cap Screw	
35	0266128	Washer	
37	0266170	Gear, large output	
39	0266124	Spring Washer	
40	0266123	Seal	
41	0266130	Gear Box Cover	
42	0266112	Key (Large output gear)	
43	0259114	Screw (Cover Mounting)	
44	0266127	Output Shaft	
45	0265042	Inner Flange	
46	0252257	Outer Flange	
47	0252256	Flange Nut	

CS Unitec, Inc.

22 Harbor Ave, Norwalk, CT 06850

Telephone: 203-853-9522 Toll Free: 800-700-5919 Fax: 203-853-9921

WebSite: www.csunitec.com E-Mail: info@csunitec.com