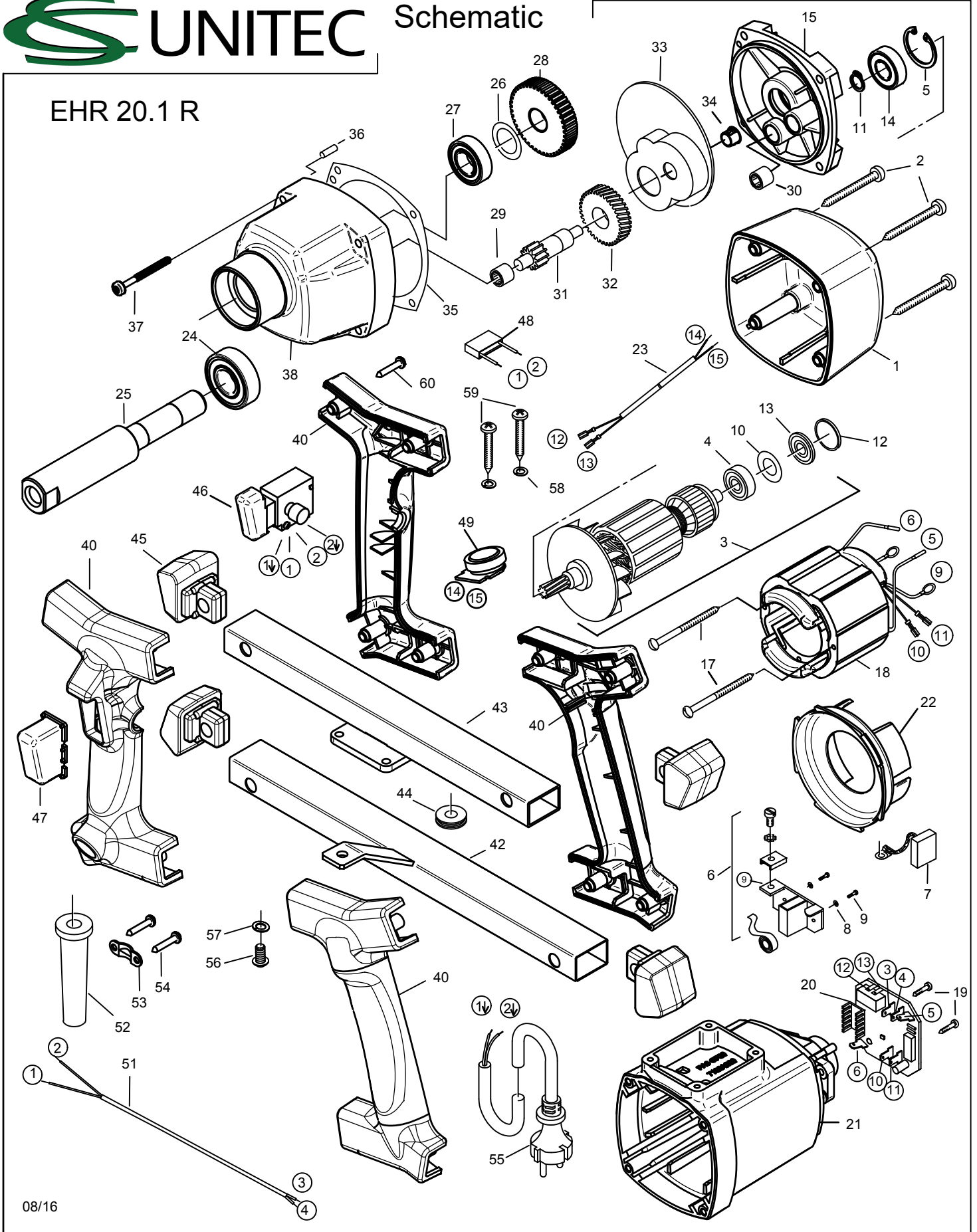


### EHR 20.1 R



# EHR 20.1 R - 110 V

0731G000

No.	Description	Order No.	Pcs	No.	Description	Order No.	Pcs
1	cap	80900182	1	31	pinion shaft	7731C490	1
2	self tapping screw HC 4,8x50	80201284	4	32	intermediate wheel	74010470	1
3	rotor complete	7731E100	1	33	grease compartment barrier	80900119	1
4	grooved ball bearing 608 2Z	80410011	1	34	plug	80900201	1
5	locking ring 28/1,2	80201333	1	35	gearbox seal	82000507	1
6	brush holder	80201196	2	36	notched pin plug 4x12	80200582	1
7	carbon brush 6,3x10x18	80700013	2	37	pt-screw 50x50	80201449	4
8	lock washer B4	80201385	4	38	gearbox housing black	77724400	1
9	self tapping screw CM4x12	80201180	4	39			
10	presspan washer	82000951	1	40	handle R	7774A26U	1
11	locking ring 10/1	80201305	1	41			
12	o-ring 22x2,5	83000036	1	42	side plate 1	7732N591	1
13	magnetic disc	80701005	1	43	side plate 2	7732N592	1
14	grooved ball bearing 6001 2Z	80410031	1	44	cable grommet HV 1305	83000051	1
15	end shield of gearing green	7731K610	1	45	rubber cup	77420594	4
16				46	switch	80600507	1
17	self tapping screw HC 3,9x60	80201266	2	47	cap guard	77420365	1
18	stator complete	7731E150	1	48	anti parasite condenser	80500010	1
19	self tapping screw HC 2,9x13	80201252	2	49	potentiometer complete	7731G27U	1
20	PCB / circuit board	80601143	1	50			
21	motor housing	80900092	1	51	interconnecting wire	80600078	1
22	air guiding ring	80900286	1	52	cable grommet	83000004	1
23	control wire	7731B187	1	53	wire locking flange	85000020	1
24	grooved ball bearing 6203 2RS	80410130	1	54	self tapping screw HC 4,2x13	80201270	2
25	work spindle	7731S420	1	55	connecting cable	80600281	1
26	fitting washer 17/24x0,2	80200507	1	56	lens head screw HM 6x12	80201209	1
27	grooved ball bearing 6003 2RS	80410043	1	57	lock washer A6	80201303	1
28	spindle wheel	7731C430	1	58	lock washer 5	80201302	4
29	needle sleeve HK 1010	80420115	1	59	plastic screw Torx 5x20	80201277	4
30	needle sleeve HK 0810	80420110	1	60	pt-screw 50x30	80201411	8

# EHR 20.1 R - 230 V Specific Items

0731V, 077A7

No.	Description	Order No.	Pcs	No.	Description	Order No.	Pcs
3	rotor complete	7731B100	1	20	PCB / circuit board	80601132	1
18	stator complete	7731B150	1	55	connecting cable 5m, pol.	80600281	1