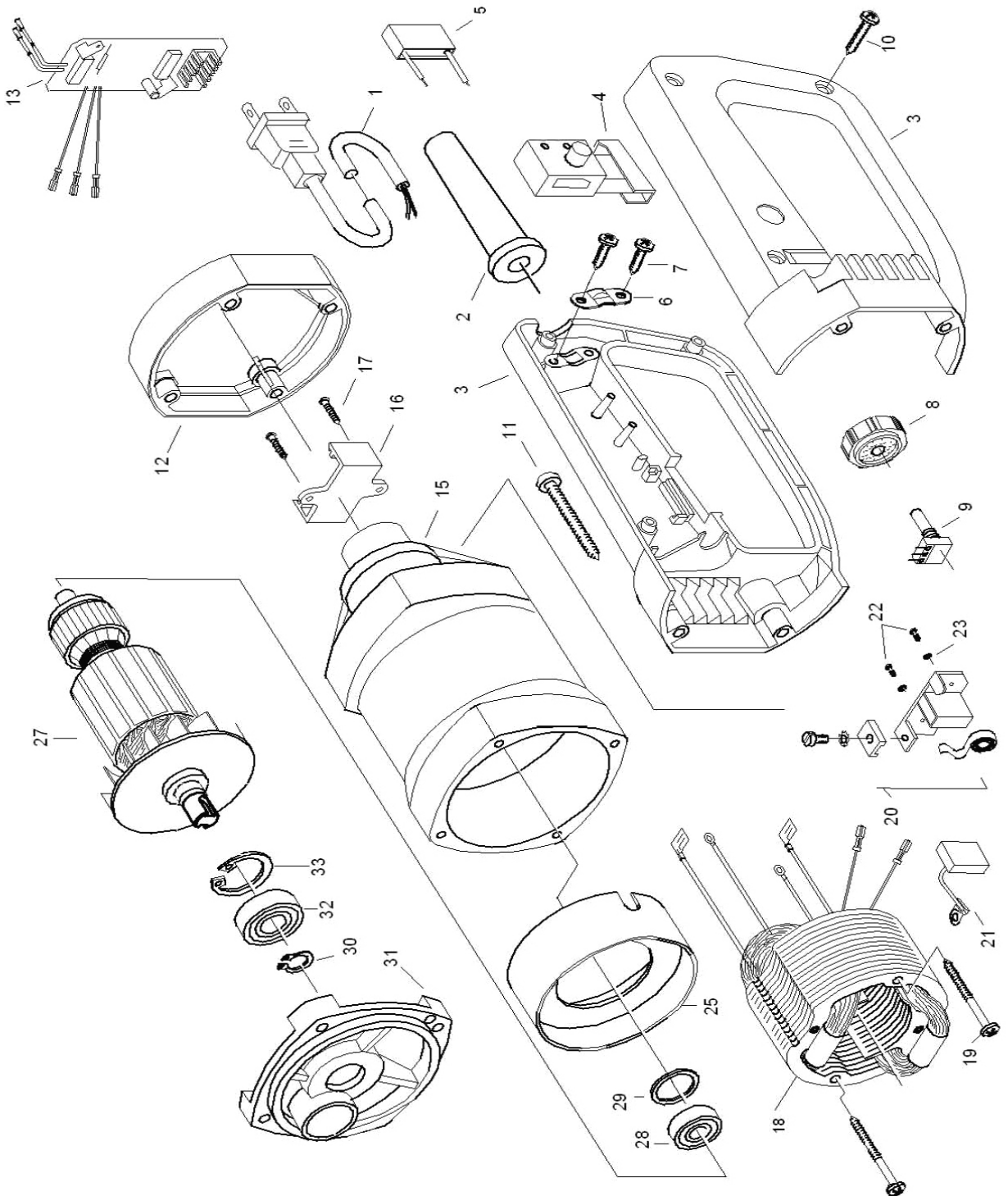




# SPARE PARTS LIST

DESCRIPTION :  
**Electric Motor**  
110V

PART NUMBER/DRAWING NUMBER  
**5 1215 1600**



*Not responsible for typographical errors.*

<u>POS. NO.</u>	<u>ITEM NO.</u>	<u>DESCRIPTION</u>	
1	5 1215 9010	Power Cord	
2	5 1215 9020	Cable Sleeve	
3	5 1215 6010	Handle	
4	5 1215 6020	Switch	
5	5 1215 9030	Capaciter	
6	5 1215 9040	Wire Locking Flange	
7	9 1135 9250	Screw, Sheet Metal	
8	5 1215 9050	Selection Wheel	
9	5 1215 9060	Speed Control	
10	9 1135 9260	Screw, Sheet Metal	
11	9 1135 9270	Screw, Sheet Metal	
12	5 1215 1140	Adapter	
13	5 1215 9070	Circuit Board	
15	5 1215 1010	Motor Housing	
16	5 1215 1160	Mount	
17	9 1135 9280	Screw, Sheet Metal	
18	5 1215 9080	Field	
19	9 1135 9290	Screw, Sheet Metal	
20	5 1215 9090	Brush Holder Assembly	
21	5 1215 9100	Carbon Brush	
22	9 1135 9350	Screw	
23	9 3314 0140	Spring Lock Washer	
25	5 1215 9110	Air Guide	
27	5 1215 1030	Armature	
28	9 1001 0140	Grooved Ball Bearing	
29	9 1921 2870	O-Ring	
30	80201320	Safety Ring	Replaces 050.0176
31	5 1215 1150	Gear Cap	
32	9 1003 0370	Bearing	4-17-01-010-03-2
33	9 1703 0070	Ring, Snap	4-26-16-027-009

CS Unitec, Inc.

22 Harbor Ave, Norwalk, CT 06850

Telephone: 203-853-9522 Toll Free: 800-700-5919 Fax: 203-853-9921

WebSite: [www.csunitec.com](http://www.csunitec.com) E-Mail: [info@csunitec.com](mailto:info@csunitec.com)



# SPARE PARTS LIST

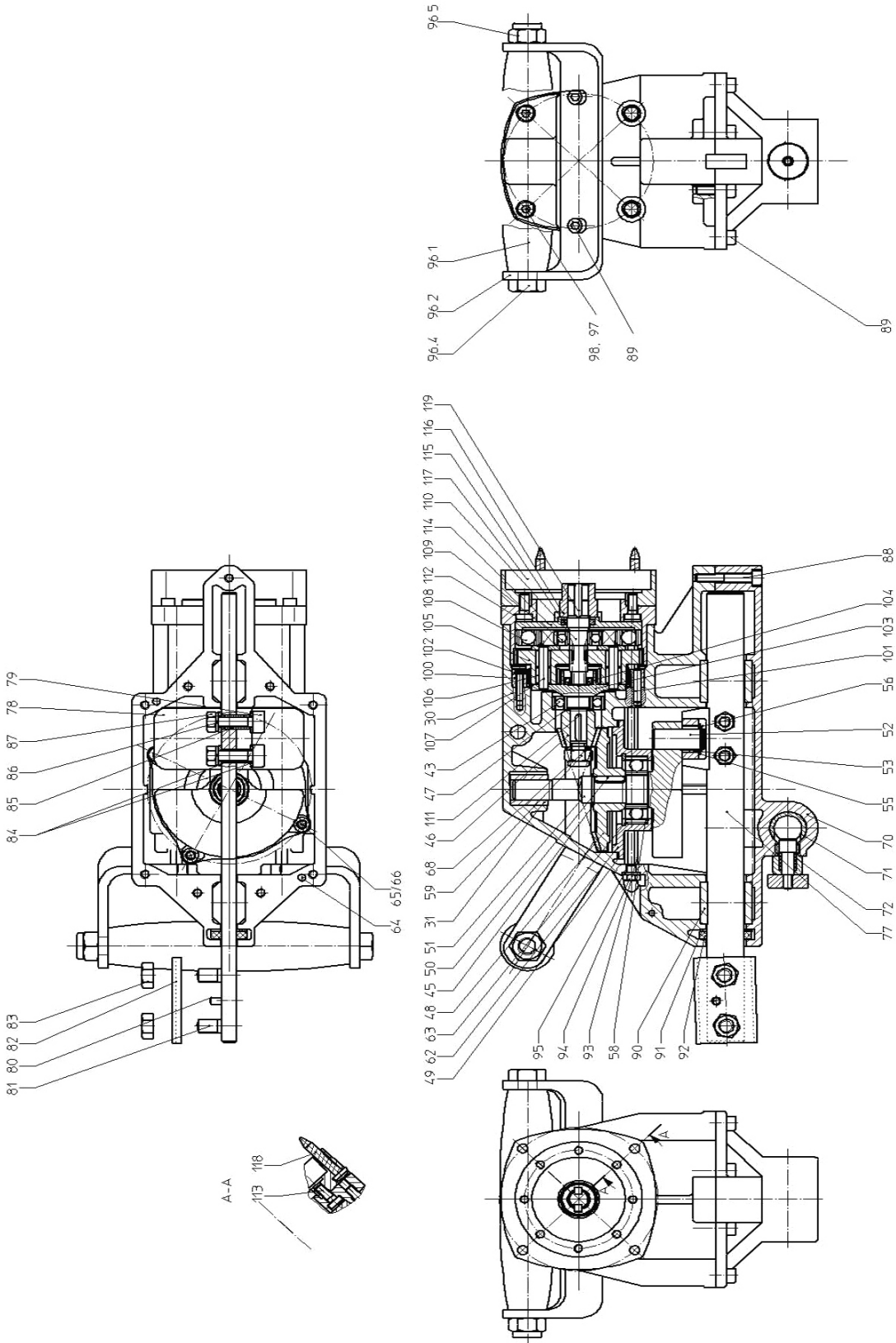
DESCRIPTION:

**Gearbox**

PART NUMBER / DRAWING NUMBER:

**5 1215 4000**

for Reciprocating Saw



*Not responsible for typographical errors.*

<u>POS. NO.</u>	<u>ITEM NO.</u>	<u>DESCRIPTION</u>	
	5 1202 4930	Crankshaft Assembly	3-34-05-022-02-8
	5 1202 4940	Gear Casing Cover Complete	3-24-29-068-01-9
	5 1202 4950	Connecting Rod	3-27-14-057-01-1
65 + 89	9 1110 3120	Screw	4-30-35-093-05-2
30	5 1205 4910	Gear Housing	3-12-09-013-00-2
31	9 1029 0150	Sliding Bearing	
43	9 1003 0370	Bearing	4-17-01-010-03-2
45	9 1702 0090	Snap Ring	
46	5 1202 4920	Bevel Gear Complete	3-38-09-142-01-9
47	5 1202 4140	Washer	3-26-24-087-02-8
47	5 1202 4340	Balance Ring	3-26-24-087-03-4
49	5 1202 4150	Balance Ring	
49	5 1202 4350	Balance Ring	3-26-24-086-03-0
50	9 1501 2080	Feather	4-02-21-017-00-4
51	5 1202 4160	Crankshaft	3-34-05-022-00-3
52	5 1202 4170	Pin	3-02-17-200-00-4
53	9 1025 0200	BEARING	4-17-24-001-00-5
55	5 1202 4490	WASHER	3-24-08-212-00-6
56	9 1702 0050	Retaining Ring	4-26-16-006-00-7
58	9 1004 0270	Bearing	4-17-01-222-03-8
59	9 1210 0010	Nut	
62	5 1213 4220	Bearing Plate-OLD#5 1202 4220	3-24-19-063-00-0
63	9 1703 0120	Snap Ring	4-26-16-003-00-2
64	9 1626 0180	Pin, Notched Taper	4-02-47-006-00-2
66	9 3329 0890	Locking Plate	
68	9 3325 0890	Washer	
71	5 1206 4098	Bearing Bush	
72	5 1201 7920	Lock Pin Assembly	3-34-12-015-01-9
77	5 1202 4260	Connecting Rod	3-27-14-057-00-2
78	5 1202 4270	Connecting Link	3-27-14-059-00-4
79	9 1110 4040	Fillister Head Screw	4-30-35-080-06-8
80	9 1624 0020	Cylindrical Pin	
81	5 1202 4280	Threaded Pin	4-30-07-038-08-8
82	5 1201 7060	Pressure Plate	3-27-14-011-00-0
83	9 1203 0050	Nut Hexagon	See # 251 048
84	9 3302 0020	Disc	4-24-01-003-06-3
85	9 1632 0010	Clamping Sleeve	4-02-38-014-00-3
86	9 3312 0020	Lock Washer	
87	9 1203 0040	Nut Hexagon	4-20-01-029-06-6
88	9 1110 3030	Screw	4-30-33-015-05-2
90	5 1206 4300	Bushing, Brass	3-16-04-008-00-1
91	9 1902 0490	Scraper	3-27-14-058-00-0
92	9 1902 0500	Felt	3-06-04-042-00-7
93	9 1643 0010	Stay Bolt	3-30-23-060-00-5

CS Unitec, Inc.

22 Harbor Ave, Norwalk, CT 06850

Telephone: 203-853-9522 Toll Free: 800-700-5919 Fax: 203-853-9921

WebSite: [www.csunitec.com](http://www.csunitec.com) E-Mail: [info@csunitec.com](mailto:info@csunitec.com)

*Not responsible for typographical errors.*

<u>POS. NO.</u>	<u>ITEM NO.</u>	<u>DESCRIPTION</u>	
94	9 1211 0020	Nut	4-20-19-005-05-2
95	9 3329 0010	Locking Plate	4-24-43-004-05-7
96	5 1202 6000	Handle	3-21-19-044-01-2
97	9 1110 3090	Fillister Head Screw	
98	9 1110 3080	Fillister Head Screw	
100	5 1215 4020	Gear	
101	9 1626 0060	Grooved Pin	4-02-47-007-00-6
102	9 1115 1020	Screw, Cylindrical	4-30-02-108-99-7
103	5 1215 4030	Planet Carrier	
104	9 1001 0510	Grooved Ball Bearing	
105	5 1215 4040	Planetary Wheel	
106	9 1015 0160	Needle Cage	
107	9 1016 0480	Needle Roller	
108	9 1002 0070	Ball Bearing, Grooved	4-17-01-607-01-2
109	9 1003 0010	Bearing	4-17-01-010-05-4
110	5 1215 4170	Pinion	
111	9 1501 1120	Key	4-02-21-008-00-3
112	5 1215 7510	Intermediate Housing	
113	9 1112 3030	Screw, Fillister Head	
114	5 1202 1130	Packing Washer	3-13-05-187-00-8
115	9 1902 0470	Felt Strip	3-13-05-188-00-6
116	5 1215 4190	Coupling	
117	5 1215 7530	Connecting Cover	
118	9 1135 9240	Screw	
119	9 1501 2100	Feather Key	

CS Unitec, Inc.

22 Harbor Ave, Norwalk, CT 06850

Telephone: 203-853-9522 Toll Free: 800-700-5919 Fax: 203-853-9921

WebSite: [www.csunitec.com](http://www.csunitec.com) E-Mail: [info@csunitec.com](mailto:info@csunitec.com)