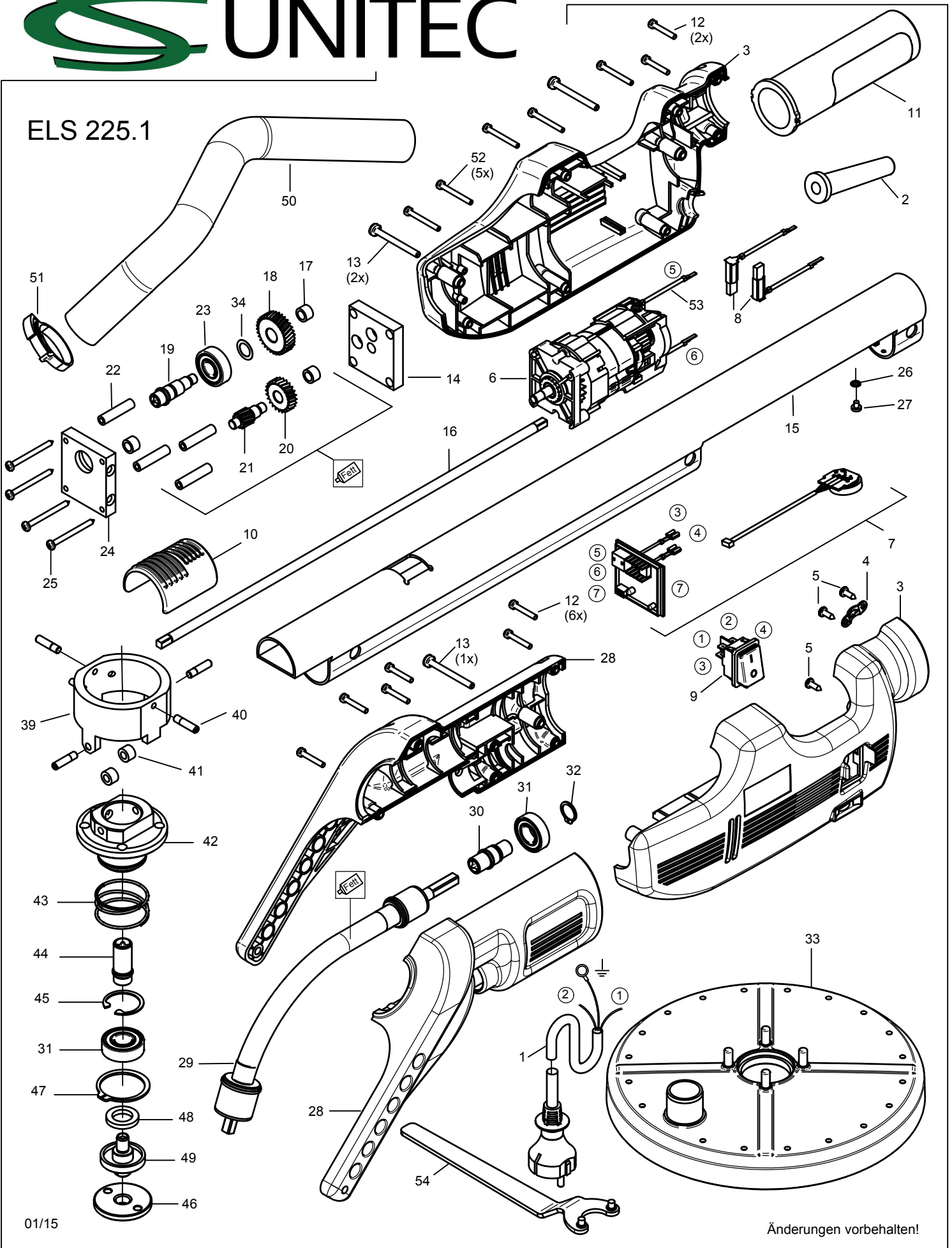


ELS 225.1



ELS 225.1 - 110 V

0620N000

No.	Description	Order No.	Pcs		No.	Description	Order No.	Pcs	
1	connecting cable	7620M340	1		28	handle segment	7620L26U	1	
2	cable grommet	83000004	1		29	flexible shaft	7620L598	1	
3	motor housing	7620L20U	1		30	adaptor	7620L520	1	
4	wire locking flange	85000020	1		31	grooved ball bearing 6002 2RSL	80410038	2	
5	self tapping screw HC 4,2x13	80201270	3		32	locking ring 15/1	80201322	1	
6	built-in motor	7701310U	1		33	suction hood	7620N575	1	
7	PCB / circuit board	7620M280	1		34	fitting washer 12/18x0,2	80200502	1	
8	pair of brushes 5x8	80700031	2		35				
9	switch	80600500	1		36				
10	air flow controller	7620L255	1		37				
11	handle	7620L253	1		38				
12	pt-screw 40x25	80201412	8		39	ring	7620L677	1	
13	pt-screw 50x40	80201439	3		40	screw M6x25	80201520	4	
14	bearing shield	7620L610	1		41	spacer	80200400	2	
15	guide bar	7620N250	1		42	spindle ball bearing	7620L670	1	
16	rod	7620L510	1		43	compression spring	80200684	1	
17	needle sleeve HK 0808	80420105	3		44	adaptor	7620L530	1	
18	spindle wheel	7620L430	1		45	locking ring 32x1,2	80201351	1	
19	spindle	7620L420	1		46	clamp nut	76203935	1	
20	gear 1	7620L470	1		47	locking ring 40/1,75	80201348	1	
21	intermediate shaft	7620L500	1		48	felt ring 27x17x4	83000500	1	
22	bushing	7620L615	4		49	spindle	7620L680	1	
23	grooved ball bearing 6001 2RS	80410032	1		50	suction hose	7620L590	1	
24	cover	7620L620	1		51	hose clamp	83000510	1	
25	self tapping screw HC4,2x60	80201519	4		52	pt-screw 40x40	80201440	5	
26	tooth lock washer A4,3	80200752	1		53	pigtail	80600077	2	
27	lens head screw M4x6	80201200	1		54	face spanner	80430042	1	

ELS 225.1 - 230 V

0620M000

1	connecting cable	80600257	1		7	PCB / circuit board	7620L280	1	
6	built-in motor	7701110U	1		8	pair of brushes	80700032	2	