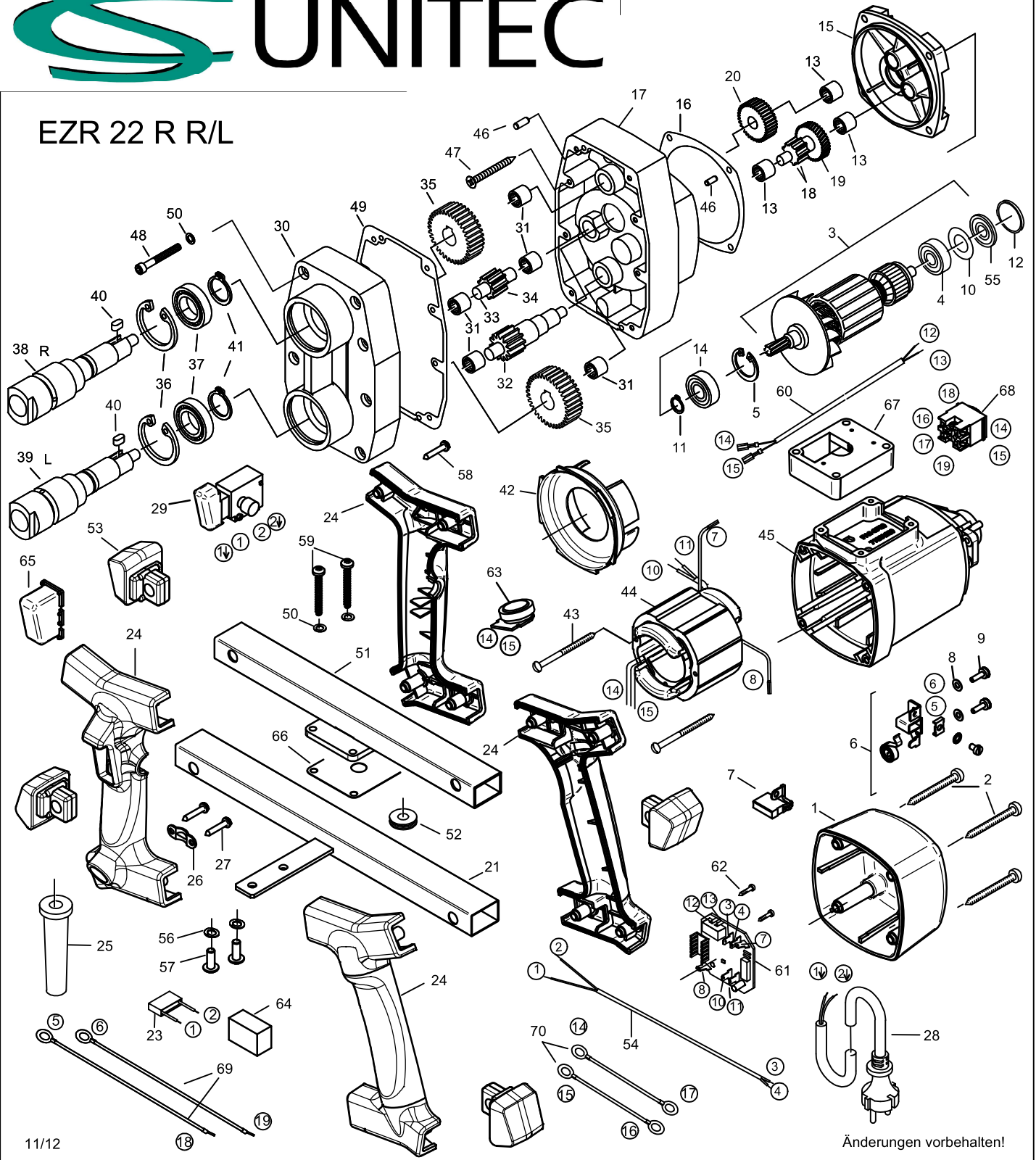


## EZR 22 R R/L



## EZR 22 R R/L - 120 V USA

077A9000

3	rotor complete	76622100	1	87,50	44	stator complete	7432N150	1	28,13
7	carbon brush 6,3x10x18	80700013	2	3,75	61	PCB / circuit board	80601143	1	52,50
28	connecting cable 5m, pol.	80600281	1	8,75					

07/16

## EZR 22 R R/L - 230 V

0774C000

No.	Description	Order No.	Pcs	Price	No.	Description	Order No.	Pcs	Price
				€/Pcs					€/Pcs
1	cap	80900182	1	3,75	36	locking ring 42/1,75	80201335	2	0,25
2	self tapping screw HC 4,8x50	80201284	4	0,50	37	grooved ball bearing 6004 2RS	80410051	2	6,88
3	rotor complete	76621100	1	87,50	38	work spindle	77810425	1	31,25
4	grooved ball bearing 608 2Z	80410011	1	2,81	39	work spindle	77810420	1	31,25
5	locking ring 28/1,2	80201333	1	0,25	40	fitting key 5x5x14	80200609	2	0,50
6	brush holder	80201196	2	4,38	41	locking ring 20/1,2	80201324	2	0,25
7	carbon brush 6,3x10x18 L85F13	80700046	2	3,75	42	air guiding ring	80900286	1	1,75
8	lock washer B4	80201385	4	0,25	43	self tapping screw HC 3,9x60	80201266	2	0,50
9	self tapping screw CM4x12	80201180	4	0,25	44	stator complete	7432E150	1	28,13
10	presspan washer	82000951	1	0,25	45	motor housing	7774C200	1	15,00
11	locking ring 11/1	80201320	1	0,25	46	notched pin plug 4x12	80200582	3	0,25
12	o-ring 22x2,5	83000036	1	0,25	47	self tapping screw HC4,8x38	80201283	4	0,25
13	needle sleeve HK 0810	80420110	3	4,06	48	screw M5x40	80201232	8	0,25
14	grooved ball bearing 6001 2RS	80410032	1	5,44	49	gearbox seal	82000052	1	1,00
15	end shield of gearing green	7731K610	1	22,50	50	lock washer 5	80201302	12	0,25
16	gearbox seal	82000507	1	1,50	51	side plate 2	7732N592	1	7,50
17	intermediate housing	7774F400	1	31,25	52	cable grommet HV 1305	83000051	1	0,75
18	pinion shaft	77810500	1	16,25	53	rubber cup	77420594	4	3,13
19	intermediate wheel	7132A470	1	10,00	54	interconnecting wire	80600078	1	1,75
20	intermediate wheel	77810470	1	11,88	55	magnetic disc	80701005	1	3,75
21	side plate 1	7774C591	1	8,75	56	lock washer A6	80201303	2	0,25
22					57	lens head screw HM 6x16	80201210	2	0,25
23	anti parasite condenser	80500010	1	2,50	58	pt-screw 50x30	80201411	8	0,50
24	handle R	7774A26U	1	10,63	59	pt-screw 50x40	80201442	4	0,50
25	cable grommet	83000004	1	1,25	60	control wire	7731B187	1	1,25
26	wire locking flange	85000020	1	0,50	61	PCB / circuit board	80601132	1	52,50
27	self tapping screw HC 4,2x13	80201270	2	0,25	62	self tapping screw HC 2,9x13	80201252	2	0,25
28	connecting cable	80600470	1	7,50	63	potentiometer complete	7731G27U	1	6,88
29	switch	80600158	1	22,50	64	foam filler	80600306	1	0,25
30	gearbox housing black	7774F410	1	34,38	65	cap guard	77420365	1	1,75
31	needle sleeve HK1012	80420133	5	3,44	66	insulating foil	7632V655	1	2,00
32	pinion shaft	77810510	1	17,50	67	intermediate block	7774C290	1	5,81
33	intermediate shaft	77810490	1	8,13	68	reverser	80600110	1	8,75
34	reversing wheel	77810480	1	10,00	69	wire	80600054	2	0,75
35	spindle wheel	77810430	2	20,00	70	interconnecting wire	80600243	2	0,50