

Operating Instructions

CE-tested – is corresponding to the directions 89/392 and 93/68 EEC

1. Elektric connection

**three-phase motor 380 V - 50 Hz
(alternative 220 V - 60 Hz)**

Pay attention to correct sense of rotation!

The abrasive wheels have to run one to the other
(see arrow at the machine casing!)

2. Adjustment of the sheet thickness

Release locking screws at the bottom of the guide plate (1),
adjust slot width by means of the setting screws (2) in a
manner that the workpiece can be moved easily –
retighten then locking screws (1).

3. Setting to work

Switch-on the machine:

Step I for slight burrs

step II for heavy burring

4. Adjustment of the abrasive wheels

Turn abrasive wheels (mop) upwards by means of the hand-wheel (right-hand rotation) until a grinding noise is heard,
turn then hand-wheel (3) to the left until the wheels are
"running free" without any noise (the machine is correctly adjusted now). The sheet parts can be pushed now from one
side through the guide prism to burr them neatly at both sides.

5. Changing of the abrasive wheels

Attention: Both driving shafts are left-hand threaded!

Release the nuts and take off the abrasive wheels with the clamping covers.

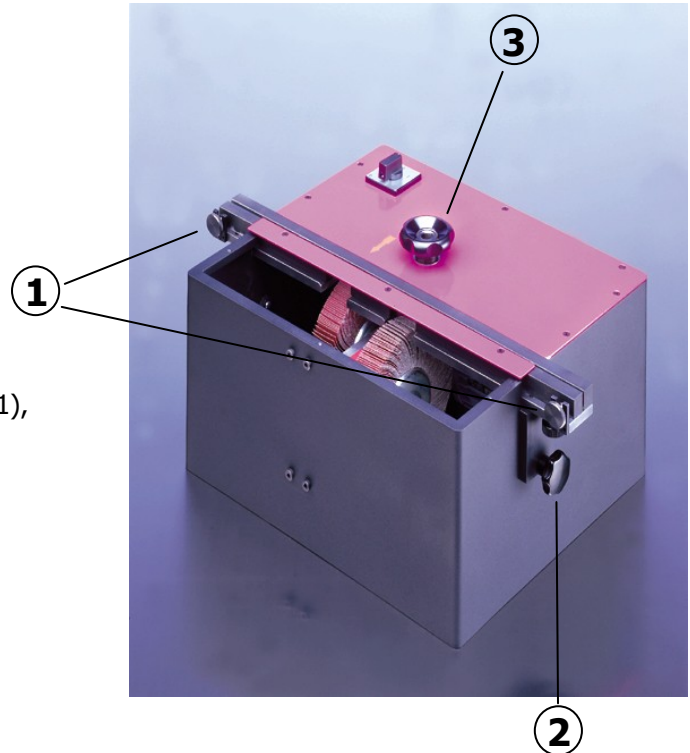
Pay attention to sense of rotation when new wheels are mounted. Retighten the nuts!

6. Maintenance

The machine (gear) is maintenance-free!

Wheel dust should be removed from the machine daily!

If necessary removal by suction.

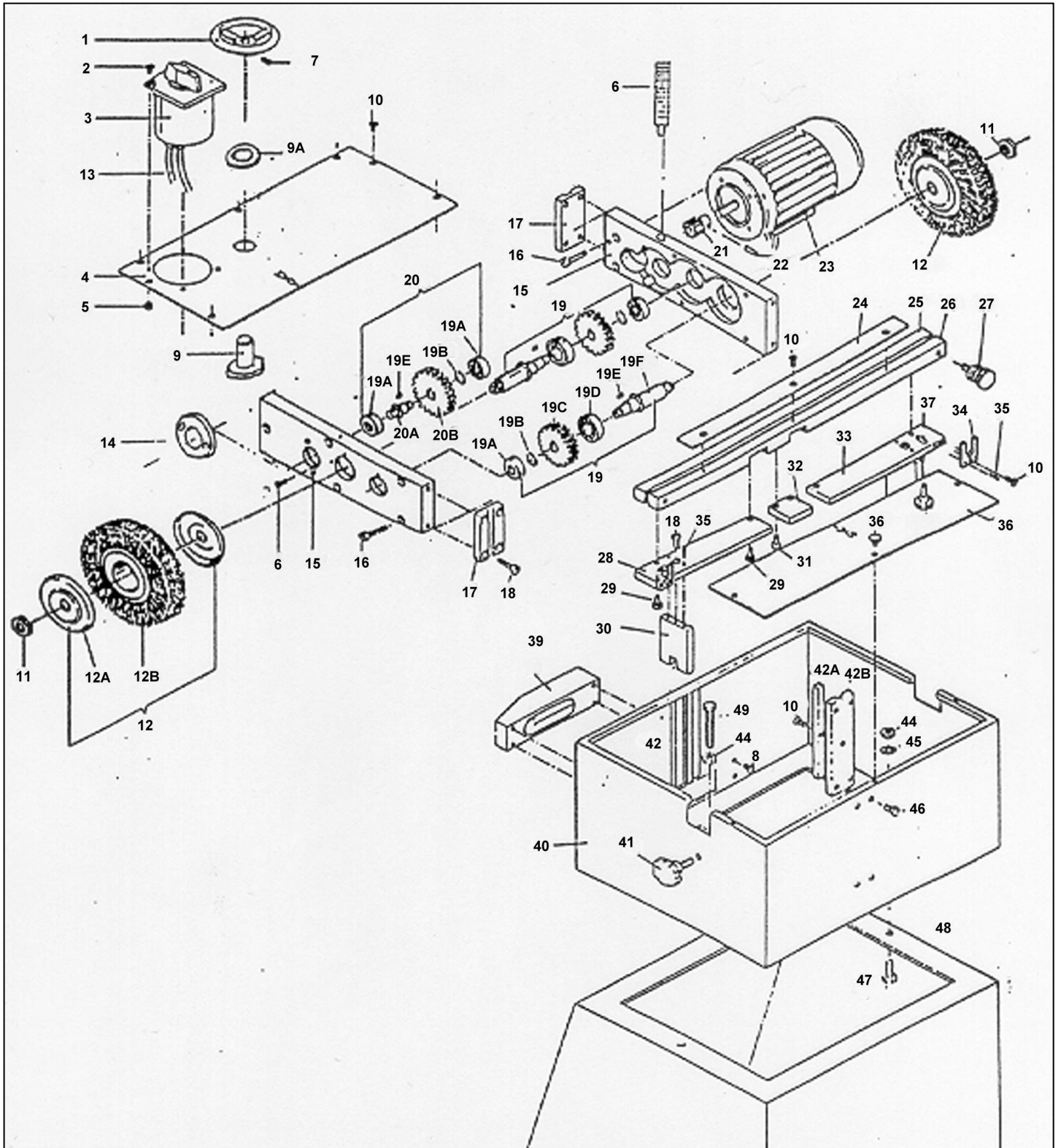


Contact us if you have any questions!

CS. UNITEC Inc.
info@csunitec.com

22 Harbor Avenue
1-800-700-5919

Norwalk, CT 06850 USA
www.csunitec.com



380 V version

Pos.	Art-no.	description	Pos.	Art-no.	description
1	54001	hand wheel	20	54020	countershaft complete
2	54002	screw	20A	54020A	countershaft
3	54003	Switch	20B	54020B	gear wheel
5	54005	nut	21	54021	motor bevel
6	54006	threat	22	54022	screw for motor bevel of ROLEI BE5
9	54009	adjustment nut	23	54023	motor 380 volts
10	54010	knurled screw	24	54024	protection rail
11	54011	nut	25/26	54025	guidance rail 700 mm (part 25 + 26)
12A	54012A	clamping cover	27	54027	adjustment screw
13	54013	cable	28/32/33	54028	guidance rail 700 mm
14	54014	sealing cover	30	54030	fixing plate
15	54015	gear box	34	54034	adjustment bracket
16	54016	screw	36	54036	knurled screw 4x8
17	54017	guide	37	54037	knurled screw 6x20
18	54018	screw	41	54041	hand grip screw 8x20
19	54019	driveshaft complete	42	54042	gear guide
19A	54019A	bearing	43	54043	cable connection
19B	54019B	circlip	50	54050	complete gear with drive cover and gear wheels with motor
19C	54019C	gear wheel	51	54051	complete gear with drive cover and gear wheels without motor
19D	54019D	bearing	52	54052	1 set of crown wheels 2x19C/1x20B/1x21
19E	54019E	fitting key	53	54053	1 set ball bearings 4x19A/2x17D
19F	54019F	driveshaft	54	54054	cable guidance

Spare flap wheels

12B	37040	ROLEI spare flap wheel 165 x 30 mm grit 40	12B	37080	ROLEI spare flap wheel 165 x 30 mm grit 80
12B	37060	ROLEI spare flap wheel 165 x 30 mm grit 60	12B	37120	ROLEI spare flap wheel 165 x 30 mm grit 120

Attention: Use only Original EISENBLÄTTER spare flap wheels because the polyester fibre residues of spare flap wheels with polyester material can seriously damage the bearing bush of the gear!

A warranty claim is only possible by using the Original Eisenblätter spare flap wheels!

CE Declaration of conformity for ROLEI BE 5

Operating instructions

ENGLISH

EC DECLARATION OF CONFORMITY

We declare under our sole responsibility that this product is in conformity with the following standards or standardization documents: EN 60745, EN 55014-1, EN 55014-2, EN 61000-3-2, EN 61000-3-3 according to the provisions of the regulations 2006/42/EG, 2004/108/EG.

DEUTSCH

CE-KONFORMITÄTSEKTLÄRUNG

Wir erklären in alleiniger Verantwortung, dass dieses Produkt mit den folgenden Normen oder normativen Dokumenten übereinstimmt: EN 60745, EN 55014-1, EN 55014-2, EN 61000-3-2, EN 61000-3-3 gemäß den Bestimmungen der Richtlinien 2006/42/EG, 2004/108/EG.

FRANÇAIS

DÉCLARATION "CE" DE CONFORMITÉ

Nous déclarons sous notre propre responsabilité que ce produit est en conformité avec les normes ou documents normalisés: EN 60745, EN 55014-1, EN 55014-2, EN 61000-3-2, EN 61000-3-3 conformément aux termes des réglementations 2006/42/EG, 2004/108/EG.

ITALIANO

DICHIARAZIONE DI CONFORMITÀ CE

Assumendone la piena responsabilità, dichiariamo che il prodotto è conforme alle seguenti normative ed ai relativi documenti: EN 60745, EN 55014-1, EN 55014-2, EN 61000-3-2, EN 61000-3-3 in base alle prescrizioni delle direttive 2006/42/EG, 2004/108/EG.

ESPAÑOL

DECLARACION DE CONFORMIDAD CE

Declaramos bajo nuestra sola responsabilidad que este producto está en conformidad con las normas o documentos normalizados siguientes: EN 60745, EN 55014-1, EN 55014-2, EN 61000-3-2, EN 61000-3-3 de acuerdo con las regulaciones 2006/42/EG, 2004/108/EG.

PORTUGUES

DECLARAÇÃO DE CONFORMIDADE CE

Declaramos sob nossa exclusiva responsabilidade que este producto cumpre as seguintes normas ou documentos normativos: EN 60745, EN 55014-1, EN 55014-2, EN 61000-3-2, EN 61000-3-3 de acordo com as disposições das directivas 2006/42/EG, 2004/108/EG.

NEDERLANDS

EC-KONFORMITEITSVERKLARING

Wij verklaren op eigen verantwoording, dat dit produkt voldoet aan de volgende normen of normatieve documenten: EN 60745, EN 55014-1, EN 55014-2, EN 61000-3-2, EN 61000-3-3 volgens de bepalingen van de richtlijnen 2006/42/EG, 2004/108/EG.

DANSK

CE-KONFORMITETSEKTLÆRING

Vi erklærer under almindeligt ansvar, at dette produkt er i overensstemmelse med følgende normer eller normative dokumenter: EN 60745, EN 55014-1, EN 55014-2, EN 61000-3-2, EN 61000-3-3 i henhold til bestemmelserne i direktiverne 2006/42/EG, 2004/108/EG.

NORGE

CE-ERKLÆRING AV KONFORMITET

Vi overtar ansvaret for at dette produktet er i overensstemmelse med følgende standarder eller standard-dokumenter: EN 60745, EN 55014-1, EN 55014-2, EN 61000-3-2, EN 61000-3-3 i samsvar med bestemmelsene i direktivene 2006/42/EG, 2004/108/EG.

SVENSKA

CE-KONFORMITETSFÖRKLARINGEN

Vi intygar och ansvarar för att denna produkt överensstämmer med följande norm och dokument: EN 60745, EN 55014-1, EN 55014-2, EN 61000-3-2, EN 61000-3-3 enligt bestämmelserna i riktlinjerna 2006/42/EG, 2004/108/EG.

SUOMI

TODISTUS CE-STANDARDINMUKAISUUDESTA

Todistamme täten ja vastaamme yksin siitä, että tämä tuote on alluueteltujen standardien ja standardoimisasiakirjojen vaatimusten mukainen: EN 60745, EN 55014-1, EN 55014-2, EN 61000-3-2, EN 61000-3-3 seuraavien ohjeiden määräysten mukaisesti: 2006/42/EG, 2004/108/EG.

GREEK

Δ' ΗΛΩΣΗ ΣΥΜΒΑΤΙΚ' ΟΤΗΤΟΣ

Δηλώνουμε υπευθύνως ότι το προϊόν αυτό είναι κατασκευασμένο σύμφωνα με τους εξής κανονισμούς ή κατασκευαστικές συστάσεις: EN 60745, EN 55014-1, EN 55014-2, EN 61000-3-2, EN 61000-3-3 σύμφωνα με τις διατάξεις των Οδηγιών: 2006/42/EG, 2004/108/EG.

Eisenblätter



Gerd Eisenblätter GmbH